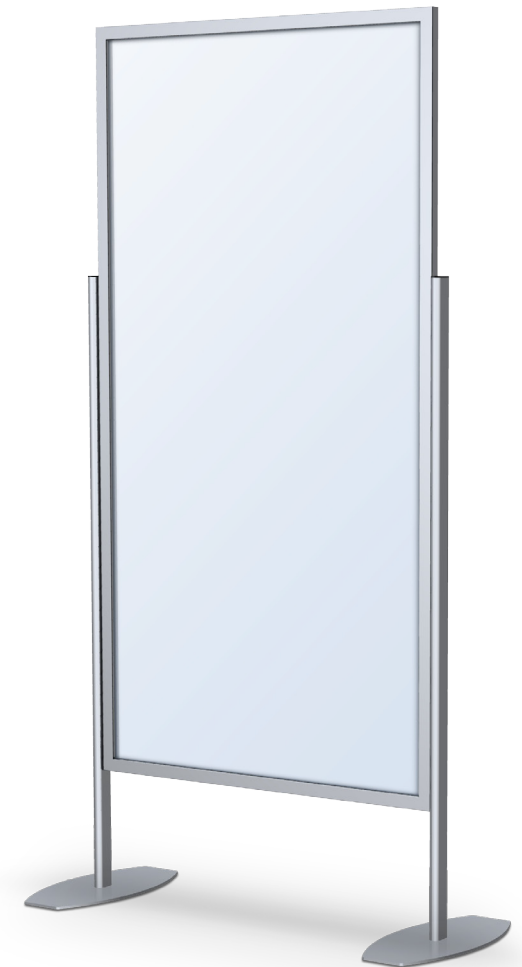
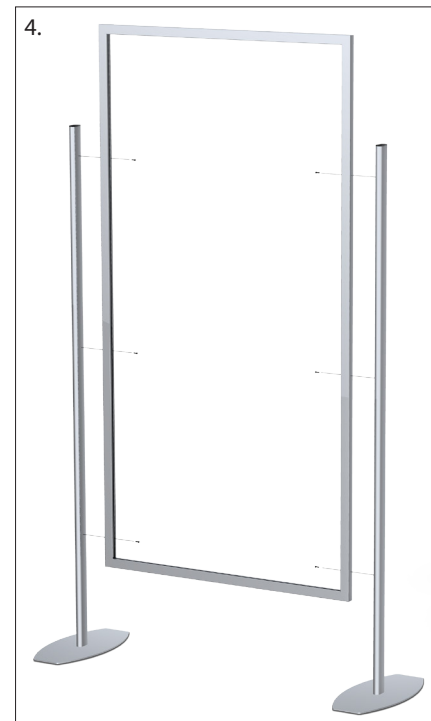
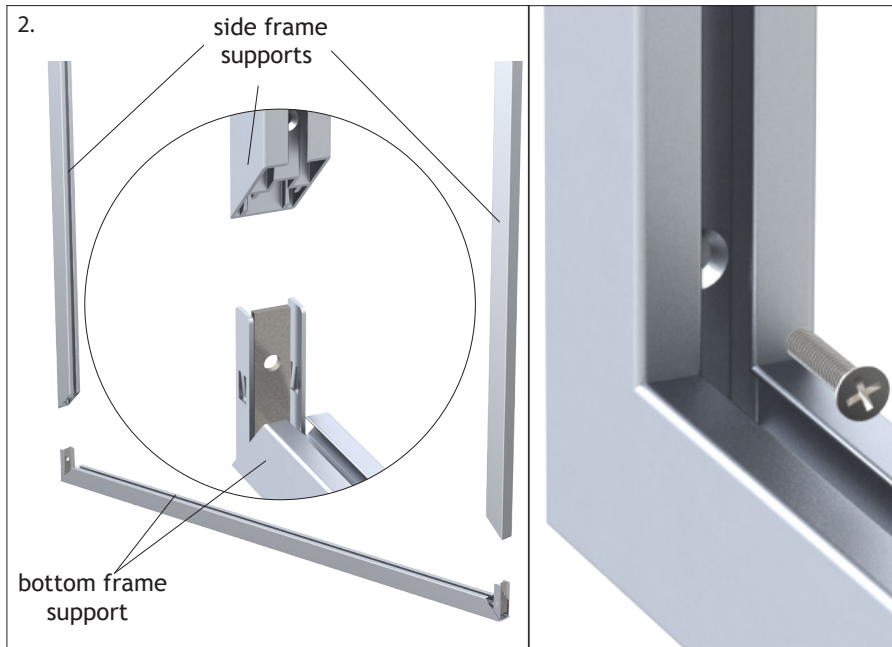
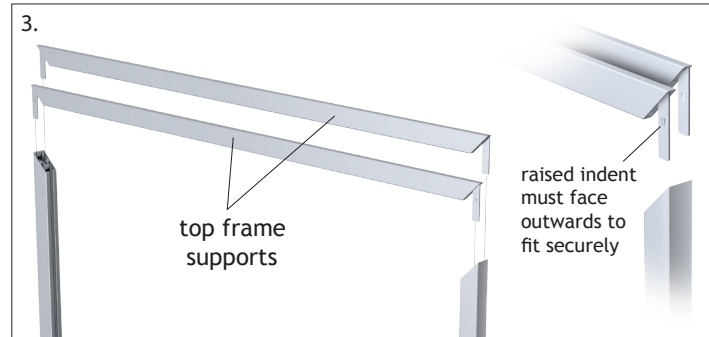
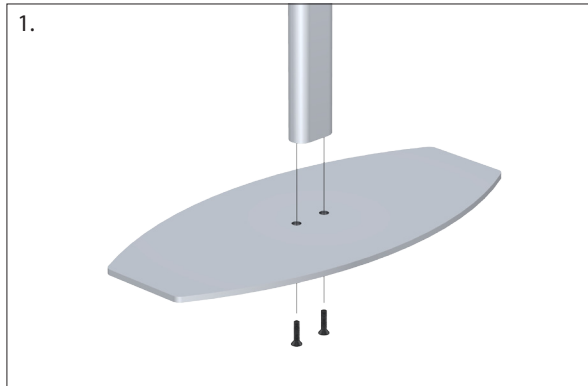


# Monster Frame™ - NSTR Series (Knocked Down)

1. Align upright with base holes and attach using two short flat head screws provided.  
When inserting screws, tighten BOTH by hand first. Then, fully tighten using a Phillips head screwdriver.
2. Press bottom frame support into side frame supports, then fasten screw at bottom of frame sides.
3. Press top frame support halves into side frame supports.
4. Connect uprights to frame using round head screws provided.

*NOTE: Model shown below may differ from your model. Uprights may not align to top of frame.*



NSTR3-V shown